

DVI to VGA Converter DC - DA1

USER MANUAL



Dtrovision LLC

131 Main Street, Suite 150

Hackensack, NJ 07601

Tel: 201-488-3232

Fax: 781-207-0351

Email: support@dtrovision.com

www.dtronicsinc.com

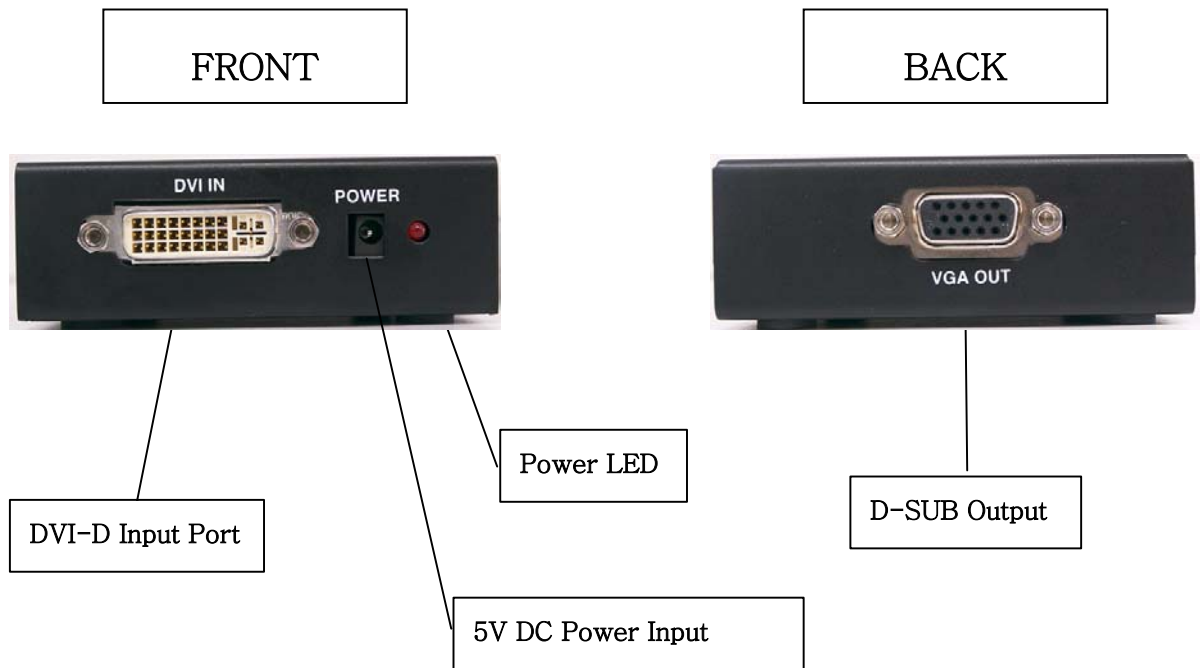
UNPACKING

Each DC-DA1 package includes following items;

DC-DA1 DVI to VGA Converter Unit

5V Power Supply Adapter

User manual



PRODUCT OVERVIEW

1. Supports High Speed / High Bandwidth / High Resolution
Supports VGA(640x480), SXGA(1280x1024), 480p, 720p, 1080i and 1080p
2. Plug and Play
Simply connect the cables and installation is completed in seconds.
3. Utilize your Analog Devices
Use this converter to connect digital devices with DVI output only to your analog TV, Projector, PC Monitor.
4. HDCP Compliant
5. No External DC Power Necessary
DC-DA1 does not require external DC power supply. DC-DA1 is powered by the DVI video source.

SPECIFICATION

1. Model Number: DC-DA1
2. Input: Digital R.G.B. / DVI Output: Analog R.G.B. / VGA
3. Supporting Resolutions
VGA(640x480) ~ SXGA(1280x1024), 480p, 720p, 1080i, 1080p
4. Connector Type: Input – DVI 29pin Female / D-SUB 15pin Female
5. Power Input: DC 5V from DVI-D pin 15 Or, external power supply unit(included)
6. Power Consumption: Min 1.0W, Max 1.6W

INSTALLATION

1. Make sure to turn off all devices(Video source, DC-DA1 and Display) before making cable connections.
2. Connect Video Source(PC, DVD Player, etc)'s DVI output port and DC-DA1's DVI input port with DVI-D cable. Please make sure to use high quality DVI-D cable and do not exceed 10ft in distance if using copper based DVI-D cable. For longer distance, please use fiber optical DVI extension cables(Such as Dtrovision OC cable)
3. Connect DC-DA1's VGA output port and your Display's VGA input port with a VGA cable
4. Connect 5V DC power to DC-DA1 (Optional)
5. Turn on all devices.

OPERATION

DC-DA1 fully supports Plug & Play. All fine adjustments are automatically adjusted by DC-DA1.

There may be some equipment that does not use standard DVI pin assignments. Please refer to the DC-DA1's pin assignments are as follows;

DVI Input Pin Assignments

PIN#	Function	PIN#	Function	PIN#	Function
1	TMDS D2-	9	TMDS D1-	17	TMDS D0-
2	TMDS D2+	10	TMDS D1+	18	TMDS D0+
3	TMDS D2 SHD	11	TMDS D1 SHD	19	TMDS D0 SHD
4	N. C.	12	N. C.	20	N. C.
5	N. C.	13	N. C.	21	N. C.
6	DDC CLOCK	14	POWER +5V	22	TMDS CLK SHD
7	DDC DATA	15	GND(DDC)	23	TMDS CLK+
8	RESERVED	16	H.P. DETECT	24	TMDS CLK-

Analog VGA Output Pin Assignments

PIN#	SIGNAL	PIN#	SIGNAL
1	RED	9	NO CONNECTION
2	GREEN	10	GROUND
3	BLUE	11	GROUN
4	GROUND	12	DATA LINE(SDA)
5	DIAGNOSTIC	13	HORIZONTAL
6	RED GROUND	14	VERTICAL
7	GREEN GROUND	15	(SCL)DATA CLOCK(SCL)
8	BLUE GROUND		

WARRANTY

Dtrovision LLC warrants that each DVI Link DVI Switch is free from defects due to faulty materials or improper workmanship for a period of one(1) year. Dtrovision LLC further warrants that any part which proves defective in materials or workmanship within one(1) year, will be replaced or repaired at no cost to the user. Labor to replace defective parts will be done without charge. Provided the equipment is returned to Dtrovision LLC prepaid, Insured and properly packaged. Prior return authorization must be obtained from your local dealer.

This warranty is void if the warranted part has been altered or subjected to abuse or misuse.

This warranty is in lieu of all other warranties expressed or implied including, without limitation, any implied warranty or any implied warranty of fitness for a particular purpose. Dtrovision LLC shall have the final right to determination as to the existence and cause of any defect and its appropriate adjustment in accordance with the terms of this warranty. In no event shall Dtrovision LLC be liable for any consequential or collateral damages.

RETURNS

All returns MUST have an Return Authorization number. Please contact your local dealer or distributor where you purchased this product to obtain the Return Authorization number.